

FOOD RANGE
CHEMICAL-DETERGENTS
AND OTHER INDUSTRIAL LIQUIDS
COSMETICS
PHARMACEUTICALS



Wheel-type cap tightener

Suitable for all cap types

EB 6000

*Automatic
screwing
machine for
screw, trigger
and spray caps*



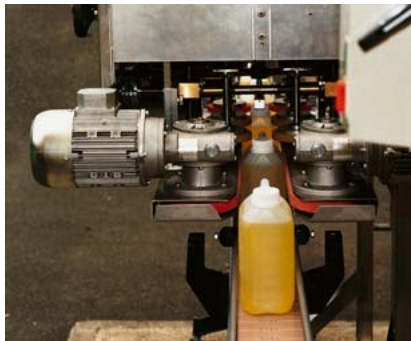
- Quick Changeover without change parts.
- Economic maintenance.
- Accurate and noiseless.
- Adaptable to all conveyors.
- A principle allowing an utmost versatility.



Stoppil[®]

The specialist for liquid packaging equipments

Strongly built and mobile, the machine offers excellent results

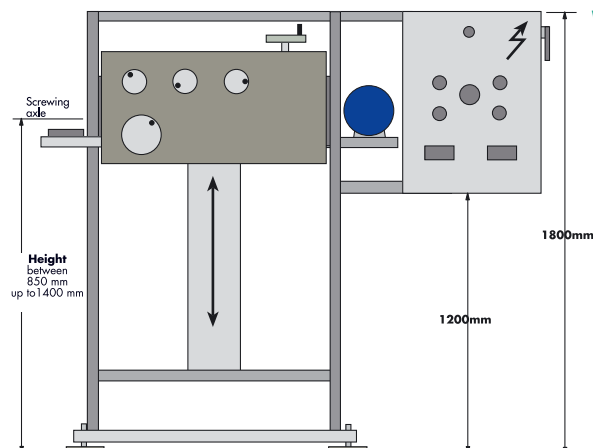
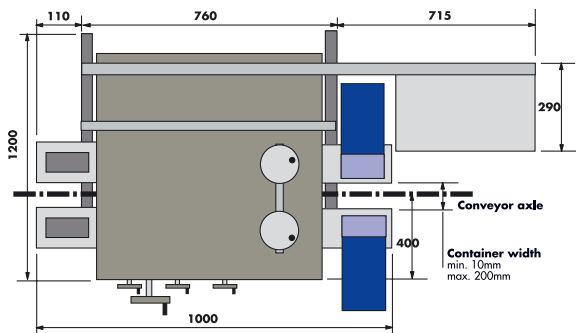


Screwed containers



The containers are gripped by means of belts - 1st set of wheels

SKETCH OF THE TIGHTENER



PRINCIPLE

The containers are gripped and driven by belts. The caps are screwed by 3 sets of wheels. The speeds are independantly adjustable by electronic frequency converters.

CONTAINERS

All shapes (width min. 10mm, max. 200mm).

CAPS

Screw, spray and trigger type, childproof (diameter min. 10mm - max. 120mm)

CAPACITY

Up to 5000 b/h. Changeover : 5 to 10 minutes without change parts. Millimetre guide marks on each control element

MAINTENANCE

Almost non-existent as each mechanical component is life-time lubricated

COMPLEMENTARY EQUIPMENT

The cap feed is either manual or automatic with addition of feed bowl and chute.

FEATURES

- Adaptable to any conveyor
- 304 stainless steel frame
- Plastic Control box (optional stainless steel)
- Weight 320 kgs
- Mobile thanks to 4 rollers
- Standard working direction : left-right
- Power supply : 220V single phase, 50Hz, 16A

WEAR PARTS

Drive belts and wheels (4 types of hardness) in stock

OPTIONS

- Double gripper belts
- Explosion-proof version
- Trigger guide
- Application related conveyor
- Feed bowl and chute
- Working direction : right-left
- Inlet/outlet protection tunnel



Document liable to modification without notice